



## Technical data sheet of U-bolts PE with PE liner

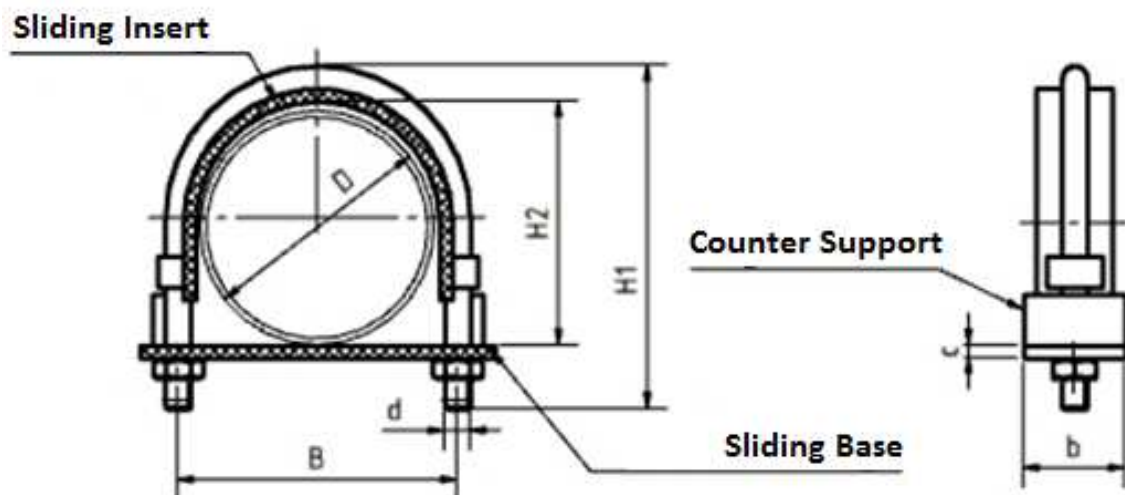
### Version BH & BH + 5

#### 1. Scope

Pipe bracket with BH shape suitable for upright or hanging installation

#### 2. Dimensions

BH shape = Short version with counter support



# MSI Technik

Germany



**3. Table 1: Dimensions of BH**

Nominal Dimension DN	Pipe $\phi$ D	Total Height H1	Height H2	Thread d	Length L	Width b	Distance B	Dimension c	Stress (kN)			Counter Support
									Fx	Fy	Fz	
15	21,3	65	23,0	10	65	40	39	5	2,3	21,5	38,2	5 x 20 x 40
20	26,9	70	28,5		70		44					
25	33,7	78	36,0		78		52					
32	42,4	86	44,0		86		60					
40	48,3	92	50,0		92		66					
50	60,3	104	62,0		104		78					
65	76,1	122	79,0		122		96					
80	88,9	134	91,5		134		108					
100	114,3	160	117,0		160		134					
125	139,7	194	144,0		198		166					
150	168,3	222	172,0	12	226	194	12	1,4	27,7	63,3	8 x 20 x 50	
200	219,1	273	223,5		278	246						
250	273,0	328	277,5		332	300						
300	323,9	387	328,0	16	390	358	12	3,5	48,2	117,8	10x20x60	
400	406,4	481	416,0		496	452						k.a.

**4. Table 1.1: Dimensions of BH + 5mm** (The sliding base is 5mm longer)

Nominal Dimension DN	Pipe $\phi$ D	Total Height H1	Height H2	Thread d	Length L	Width b	Distance B	Dimension c	Stress (kN)			Counter Support
									Fx	Fy	Fz	
15	21,3	70	28,0	10	65	40	39	10	2,3	21,5	38,2	5 x 20 x 40
20	26,9	75	33,5		70		44					
25	33,7	83	41,0		78		52					
32	42,4	91	49,0		86		60					
40	48,3	97	55,0		92		66					
50	60,3	109	67,0		104		78					
65	76,1	127	84,0		122		96					
80	88,9	139	96,5		134		108					
100	114,3	165	122,0		160		134					
125	139,7	199	149,0		198		166					
150	168,3	227	177,0	12	226	194	12	1,4	27,7	63,3	8 x 20 x 50	
200	219,1	278	228,5		278	246						
250	273,0	333	282,5		332	300						
300	323,9	392	333,0	16	390	358	12	3,5	48,2	117,8	10x20x60	
400	406,4	486	421,0		496	452						k.a.

# MSI Technik

Germany



**5. Table 2: Weight**

Form	Nominal Dimension DN												
	15	20	25	32	40	50	65	80	100	125	150	200	250
	Weight ≈ kg/piece (without nut and sliding base/insert)												
BH	0,15	0,15	0,17	0,18	0,19	0,21	0,24	0,26	0,3	0,53	0,6	0,72	0,84

**6. Table 3: Tightening torques of the round steel U-bolts**

Pipe			Tightening Torque (NM)
DN	Dimeter	Wall thickness	
15	21,3	2)	3
20	26,9		3
25	33,7		5
32	42,2		6
40	48,3		6
50	60,3		8
65	76,1		8
80	88,9		7
100	114,3		15
125	139,7		17
150	168,3		18
200	219,1	2,90	30
		5,00	56
250	273	2,90	33
		5,00	73
300	323,9	4,00	60
		5,60	94
350	355,6	4,00	62
		5,60	98
400	406,4	5,00	58
		6,30	77
500	508	5,00	64
		6,30	85

<sup>1)</sup> Permissible tightening torque of the pipe clamp screws at operating temperature 60°C

<sup>2)</sup> The pipe wall thickness can be ignored due to premature deformation of the pipe clamp on exceeding the specified tightening torque



## 7. Material

Bracket:	Round (DIN EN 10060), Material: S235JR (DIN EN 10025-2)
Counter Support:	Flat (DIN EN 10058), Material: S235JR (DIN EN 10025-2)
Sliding Base:	Polyethylene, alternative: PVDF
Sliding Insert:	Polyethylene, alternative: PVDF
Nuts:	DIN EN ISO 4032, Strength class 6, hot galvanized according to DIN EN ISO 1068

SS (1.4571) is also offered as another option for all pipe brackets with PE liner.