

MSI Technik

Germany



Technical data sheet of U-bolts PE with PE liner

Version DH

1. Scope

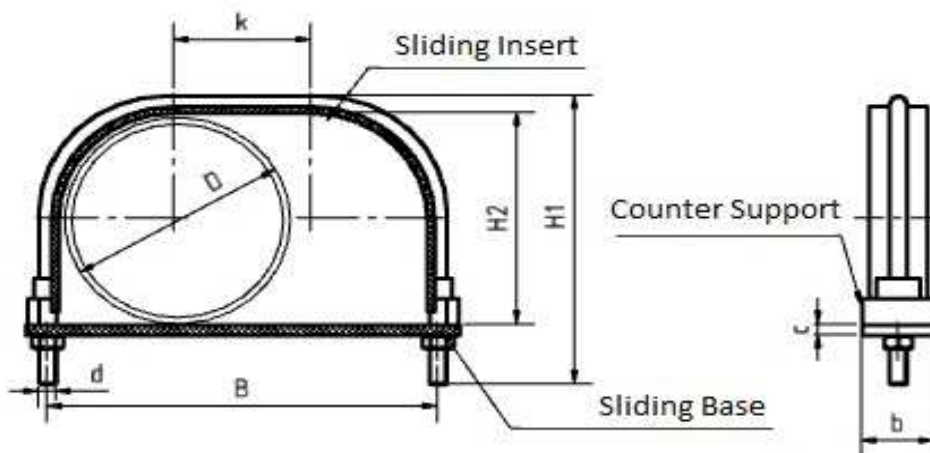
Pipe bracket with DH shape suitable for upright or hanging installation

2. Dimensions

DH shape = Sideflexing version with counter support

GLSS (slide bearing upright slideflexing)

GLSH (slide bearing hanging slideflexing)



MSI Technik

Germany



3. Table 1: Dimension of DH

Nominal Dimension DN	Pipe \varnothing D	Total Height H1	Height H2	Thread d	Length L	Width b	Distance B	Dimension c	Dimension k	Counter Support
20	26,9	75	34	M10 x 18	150	40	124	5	80,0	5 x 20 x 40
25	33,7	83	41,0	M10 x 18	153		124		74,8	
40	48,3	97	55,0	M10 x 18	165		134		70,8	
50	60,3	109	67,0	M10 x 21	183		154		78,6	
65	76,1	127	84,0	M10 x 21	199		169		75,6	
80	88,9	139	96,5	M10 x 21	213		184		78,6	
100	114,3	165	122,0	M10 x 25	246		214		82,5	
125	139,7	199	149,0	M12 x 27	277		237		75,5	
150	168,3	227	177,0	M12 x 27	304		267		77,5	8 x 20 x 50
200	219,1	278	229,0	M12 x 27	349		317		71,0	
250	273,0	333	283,0	M12 x 27						

4. Table 2: Weight

Form	Nominal Dimension DN												
	15	20	25	32	40	50	65	80	100	125	150	200	250
	Weight \approx kg/piece (without nut and sliding base/insert)												
DH													

MSI Technik

Germany



5. Table 3: Tightening torques off he round steel U-bolts

Pipe			Tightening Torque (NM)	
DN	Dimeter	Wall thickness		
15	21,3	2)	3	
20	26,9		3	
25	33,7		5	
32	42,2		6	
40	48,3		6	
50	60,3		8	
65	76,1		8	
80	88,9		7	
100	114,3		15	
125	139,7		17	
150	168,3		18	
200	219,1		2,90	30
			5,00	56
250	273	2,90	33	
		5,00	73	

¹⁾ Permissible tightening torque of the pipe clamp screws at operating temperature 60°C

²⁾ The pipe wall thickness can be ignored due to premature deformation of the pipe clamp on exceeding the specified tightening torque

6. Material

Bracket:	Round (DIN EN 10060), Material: S235JR (DIN EN 10025-2)
Counter Support:	Flat (DIN EN 10058), Material: S235JR (DIN EN 10025-2)
Sliding Base:	Polyethylene, alternative: PVDF
Sliding Insert:	Polyethylene, alternative: PVDF
Nuts:	DIN EN ISO 4032, Strength class 6, hot galvanized according to DIN EN ISO 1068

SS (1.4571) is also offered as another option for all pipe brackets with PE liner.