

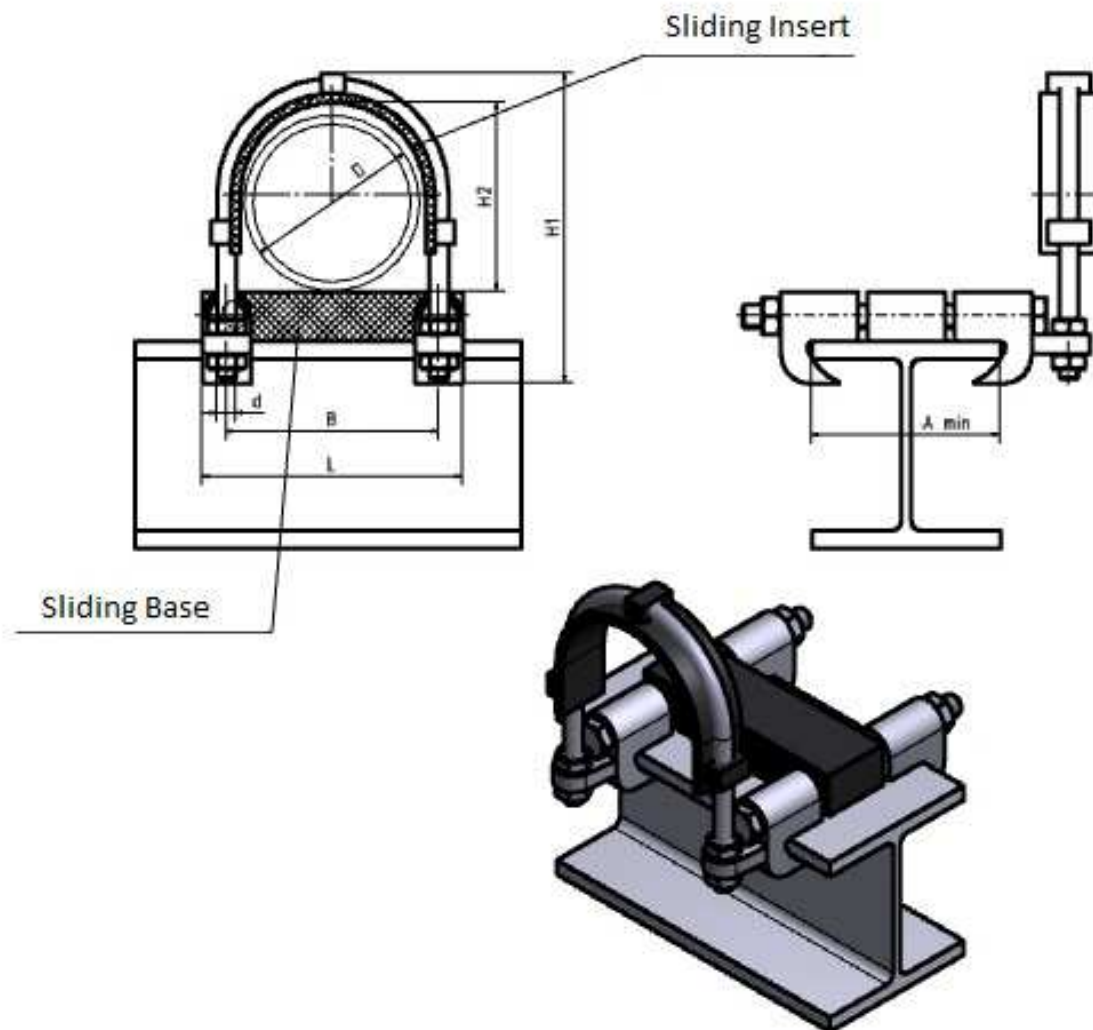
Technical data sheet of U-bolts PE with PE liner

Version KL

1. Scope

Pipe bracket with KL shape suitable for upright or hanging installation

2. Dimensions





3. Table 1: Dimension of KL

| Nominal Dimension DN | Pipe ϕ D | Total Height H1 | Height H2 | Thread d | Length L | Width A min | Distance B | Stress (kN) | | |
|-------------------------|------------------|--------------------|--------------|-------------|-------------|----------------|---------------|-------------|-----|-----|
| | | | | | | | | Fx | Fy | Fz |
| 20 | 26,9 | 89,5 | 33,5 | M10 | 65 | 70 | 44 | - | 0,6 | 0,6 |
| 25 | 33,7 | 97,0 | 41,0 | | 70 | | 52 | - | 0,5 | 0,8 |
| 32 | 42,4 | 105,0 | 49,0 | | 80 | | 60 | - | 0,5 | 1,0 |
| 40 | 48,3 | 111,0 | 55,0 | | 85 | | 66 | - | 0,4 | 1,1 |
| 50 | 60,3 | 123,0 | 67,0 | | 100 | | 78 | - | 0,4 | 1,4 |
| 65 | 76,1 | 140,0 | 84,0 | | 115 | | 96 | - | 0,3 | 1,7 |
| 80 | 88,9 | 152,5 | 96,5 | | 125 | | 108 | - | 0,3 | 2,0 |
| 100 | 114,3 | 178,0 | 122,0 | | 155 | | 134 | - | 0,3 | 2,5 |
| 125 | 139,7 | 210,0 | 149,0 | M12 | 180 | 166 | - | 0,2 | 2,5 | |
| 150 | 168,3 | 238,0 | 177,0 | | 210 | 194 | - | 0,2 | 2,5 | |
| 200 | 219,1 | 289,5 | 228,5 | | 260 | 246 | - | 0,2 | 2,5 | |
| 250 | 273 | 343,5 | 282,5 | | 310 | 300 | - | - | - | |
| | | | | | | | - | - | - | |

4. Table 2: Weight

| Form | Nominal Dimension DN | | | | | | | | | | | |
|------|---------------------------|-----|-----|-----|-----|-----|-----|-----|-----|-----|-----|-----|
| | 20 | 25 | 32 | 40 | 50 | 65 | 80 | 100 | 125 | 150 | 200 | 250 |
| | Weight \approx kg/Stück | | | | | | | | | | | |
| KL | 1,4 | 1,4 | 1,4 | 1,5 | 1,5 | 1,5 | 1,7 | 1,7 | 1,8 | 1,8 | 2 | 2,1 |

5. Each set consists of

- 2 x Gripping jaws
- 2 x Gripping jaws with dee
- 1 x Sliding Base 20mm
- 1 x U – bolt with PE liner, 4 Nut (locking nut)
- 2 x Screw incl. Nut



6. Table 3: Tightening torques of the round steel U-bolts

| Pipe | | | Tightening Torque (NM) |
|------|---------|----------------|------------------------|
| DN | Dimeter | Wall thickness | |
| 15 | 21,3 | 2) | 3 |
| 20 | 26,9 | | 3 |
| 25 | 33,7 | | 5 |
| 32 | 42,2 | | 6 |
| 40 | 48,3 | | 6 |
| 50 | 60,3 | | 8 |
| 65 | 76,1 | | 8 |
| 80 | 88,9 | | 7 |
| 100 | 114,3 | | 15 |
| 125 | 139,7 | | 17 |
| 150 | 168,3 | | 18 |
| 200 | 219,1 | 2,90 | 30 |
| | | 5,00 | 56 |
| 250 | 273 | 2,90 | 33 |
| | | 5,00 | 73 |

¹⁾ Permissible tightening torque of the pipe clamp screws at operating temperature 60°C

²⁾ The pipe wall thickness can be ignored due to premature deformation of the pipe clamp on exceeding the specified tightening torque

7. Material

| | |
|------------------|--|
| Bracket: | Round (DIN EN 10060), Material: S235JR (DIN EN 10025-2) |
| Counter Support: | Flat (DIN EN 10058), Material: S235JR (DIN EN 10025-2) |
| Sliding Base: | Polyethylene, alternative: PVDF |
| Sliding Insert: | Polyethylene, alternative: PVDF |
| Nuts: | DIN EN ISO 4032, Strength class 6, hot galvanized according to DIN EN ISO 1068 |

SS (1.4571) is also offered as another option for all pipe brackets with PE liner.