

MSI Technik

Germany



Technical data sheet of U-bolts PE with PE liner

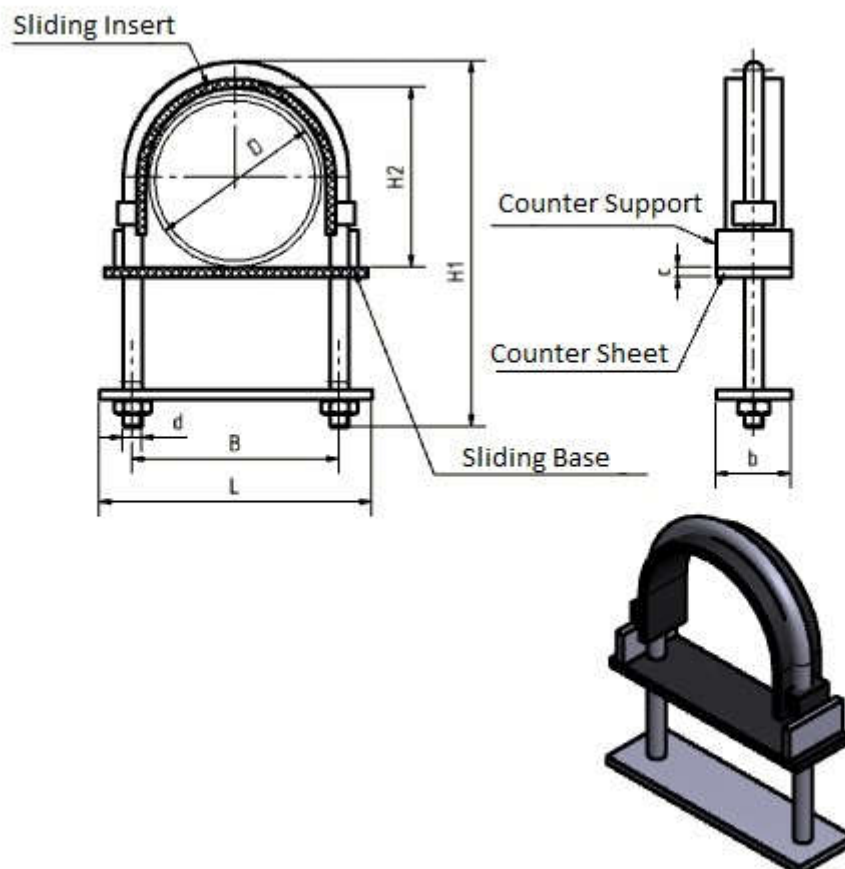
Version AH

1. Scope

Pipe bracket with BH shape suitable for upright or hanging installation

2. Dimensions

BH shape = Short version with counter support



MSI Technik

Germany



3. Table 1: Dimensions of AH

Nominal Dimension DN	Pipe ø D	Total Height H1	Height H2	Thread d	Length L	Width b	Distance B	Dimension c	Stress (kN)			Counter Support
									Fx	Fy	Fz	
15	21,3	118	23,0	M 10	75	40	39	5	2,3	21,5	38,2	5 x 20 x 40
20	26,9	123	28,5		80		44					
25	33,7	131	36,0		88		52					
32	42,4	139	44,0		96		60					
40	48,3	145	50,0		102		66					
50	60,3	157	62,0		114		78					
65	76,1	175	79,0		132		96					
80	88,9	187	91,5		144		108					
100	114,3	213	117,0		170		134					
125	139,7	247	144,0	M 12	208	166	1,4	27,7	63,3	8 x 20 x 50		
150	168,3	275	172,0		236	194						
200	219,1	327	223,5		288	246						
250	273	381	277,5		342	300						

4. Table 2: Weight

Form	Nominal Dimension DN												
	15	20	25	32	40	50	65	80	100	125	150	200	250
	Weight ≈ kg/piece (without nut and sliding base/insert)												
AH	0,21	0,22	0,23	0,25	0,26	0,27	0,3	0,32	0,36	0,63	0,69	0,81	0,94



5. Table 3: Tightening torques of the round steel U-bolts

Pipe			Tightening Torque (NM)
DN	Dimeter	Wall thickess	
15	21,3	2)	3
20	26,9		3
25	33,7		5
32	42,2		6
40	48,3		6
50	60,3		8
65	76,1		8
80	88,9		7
100	114,3		15
125	139,7		17
150	168,3		18
200	219,1		2,90
		5,00	56
250	273	2,90	33
		5,00	73
300	323,9	4,00	60
		5,60	94
350	355,6	4,00	62
		5,60	98
400	406,4	5,00	58
		6,30	77
500	508	5,00	64
		6,30	85

¹⁾ Permissible tightening torque of the pipe clamp screws at operating temperature 60°C

²⁾ The pipe wall thickness can be ignored due to premature deformation of the pipe clamp on exceeding the specified tightening torque

MSI Technik

Germany



6. Material

Bracket:	Round (DIN EN 10060), Material: S235JR (DIN EN 10025-2)
Counter Support:	Flat (DIN EN 10058), Material: S235JR (DIN EN 10025-2)
Sliding Base:	Polyethylene, alternative: PVDF
Sliding Insert:	Polyethylene, alternative: PVDF
Nuts:	DIN EN ISO 4032, Strength class 6, hot galvanized according to DIN EN ISO 1068

SS (1.4571) is also offered as another option for all pipe brackets with PE liner.